


PRODUCT SHEET

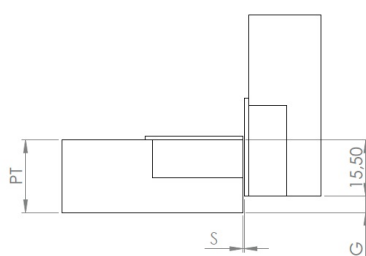
Description:

Flap Hinge $\varnothing 30 \times 10 \text{ mm}$, Zamak, Antique Bronze, Detachable

Item number:

15.09.077-0

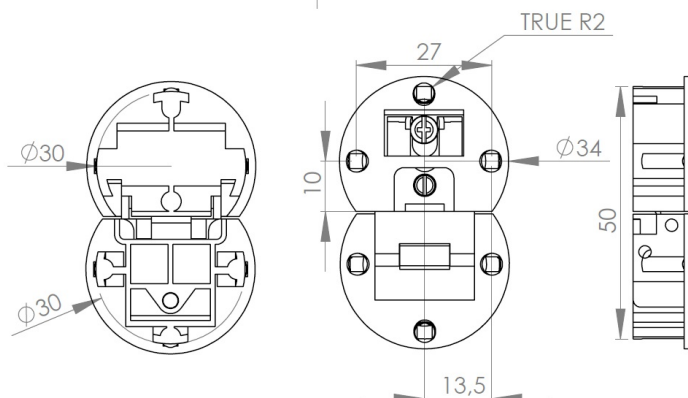
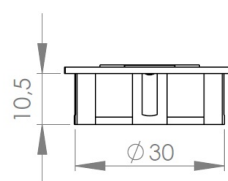
Units	Box	Carton	HS Code	Barcode
Pcs.	30	300	8302100090	
				5704866481502



S: Adjustable 0 - 2,50 mm



PT = Plate thickness	G = Gap
16 mm	0,50 mm
17 mm	1,50 mm
18 mm	2,50 mm
19 mm	3,50 mm
20 mm	4,50 mm
21 mm	5,50 mm
22 mm	6,50 mm



SISO A/S

Mileparken 11
DK-2740 Skovlunde
Denmark
VAT: DK 24786013

Phone +45 45 830 900

www.siso.dk
siso@siso.dk

Danske Bank
Nytorv Branch
Copenhagen
SWIFT: DABADKKK

Account no.
4180 3112 112936
IBAN Account
DK7230003112112936